

# Technical Details of Implementation of Change Request TIPS-0033

**TECHNICAL WORKSHOP, 1 OCTOBER 2020**

**1** Setup of reference data, including data related to ACHs

**2** Funding/defunding of ACH technical accounts

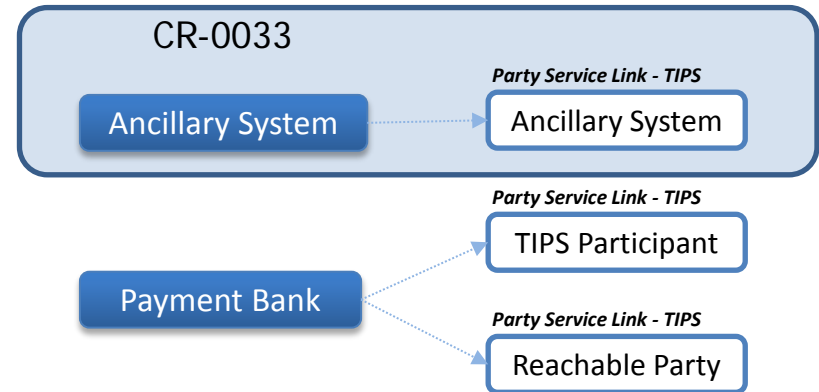
**3** New settlement scenarios with a focus on cross-ACH transactions

**4** End-of-day reporting

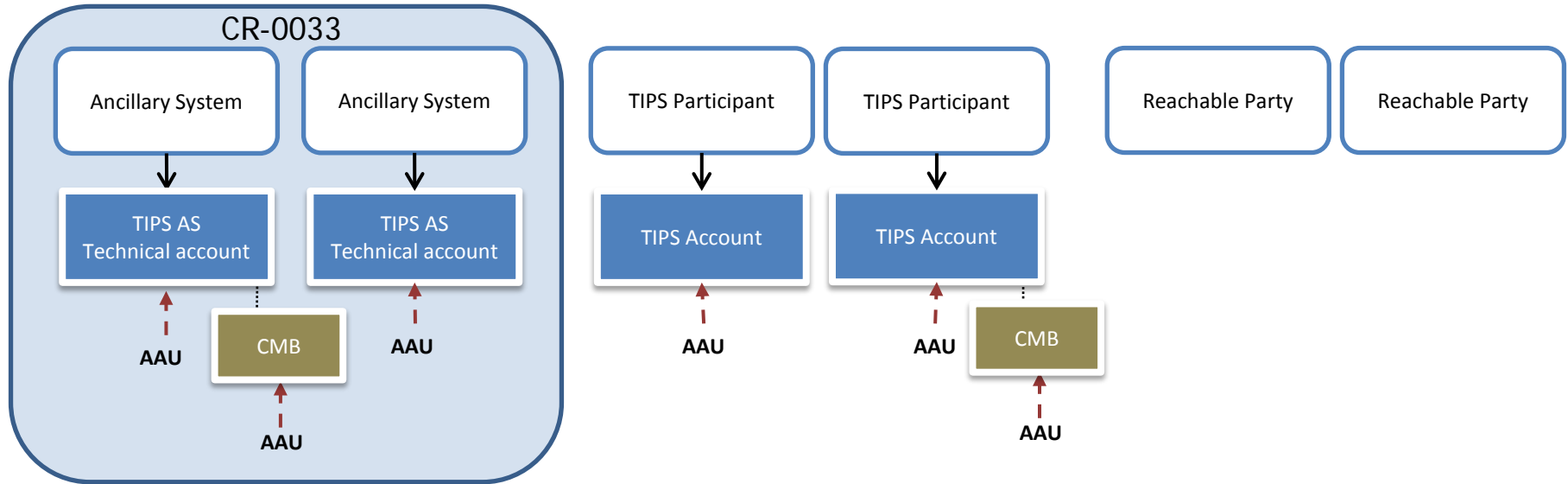
**5** Changes in TIPS messages

## Reference Data management

- On the basis of the hierarchical party model, the Operator is the only party at level 1. All the Central Banks are level 2 parties and are responsible for the setup of reference data of level 3 parties, represented by Payment Banks and Ancillary Systems.
- Just as for Payment Banks, the relevant Central Bank must specify in the Common Reference Data Management (CRDM) common component whether an Ancillary System participates in TIPS, by means of the Party Service Link.



- Regarding the account structure:
  - a new type of Account is introduced in CRDM and propagated to TIPS
  - ACH is set up as account owner of TIPS AS Technical Account
  - CMBs can be used to segregate the access to the liquidity in the TIPS AS Technical Account
  - Authorised Account User on TIPS AS Technical Account will have to be configured for IP settlement



**1** Setup of reference data, including data related to ACHs

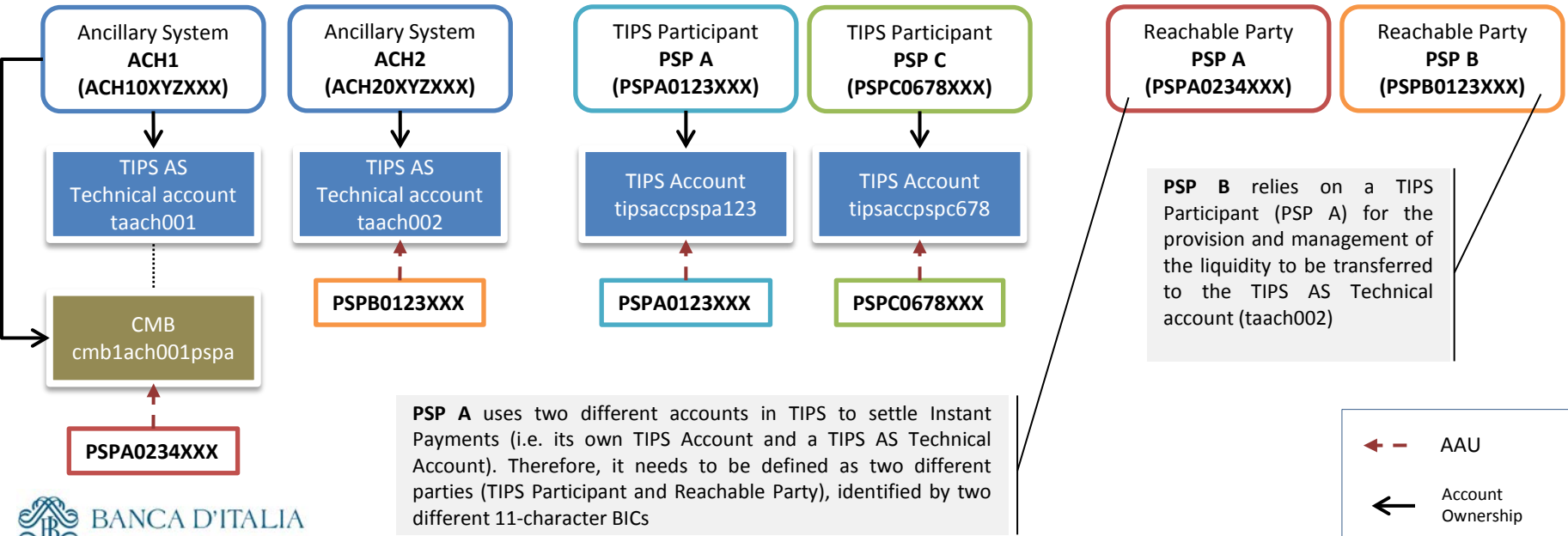
**2** Funding/defunding of ACH technical accounts

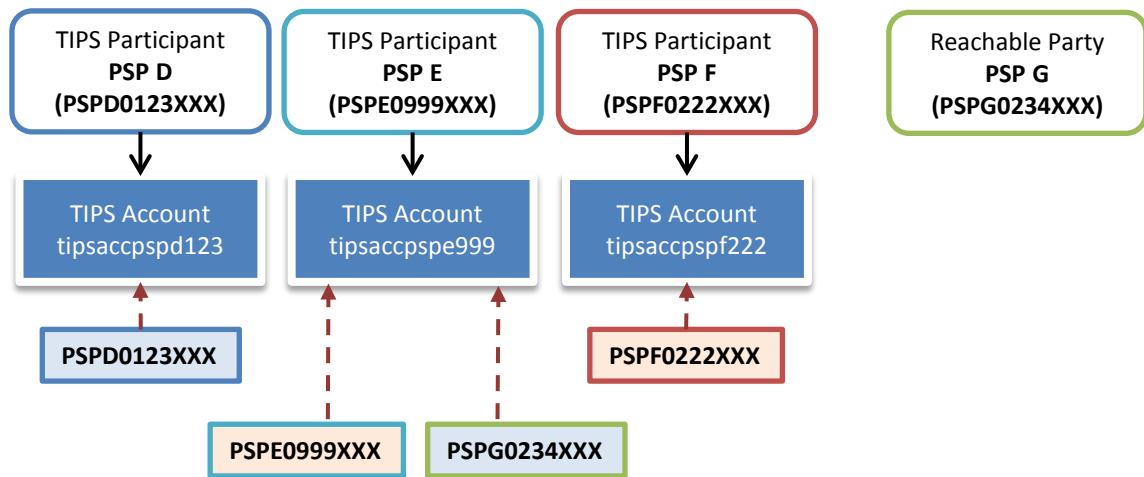
**3** New settlement scenarios with a focus on cross-ACH transactions

**4** End-of-day reporting

**5** Changes in TIPS messages

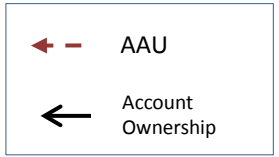
The following scenarios related to funding/defunding of a TIPS AS Technical account and settlement of instant payments are based on the data constellation introduced below. The data constellation is depicted on the basis of the concept introduced in the first part of our presentation.



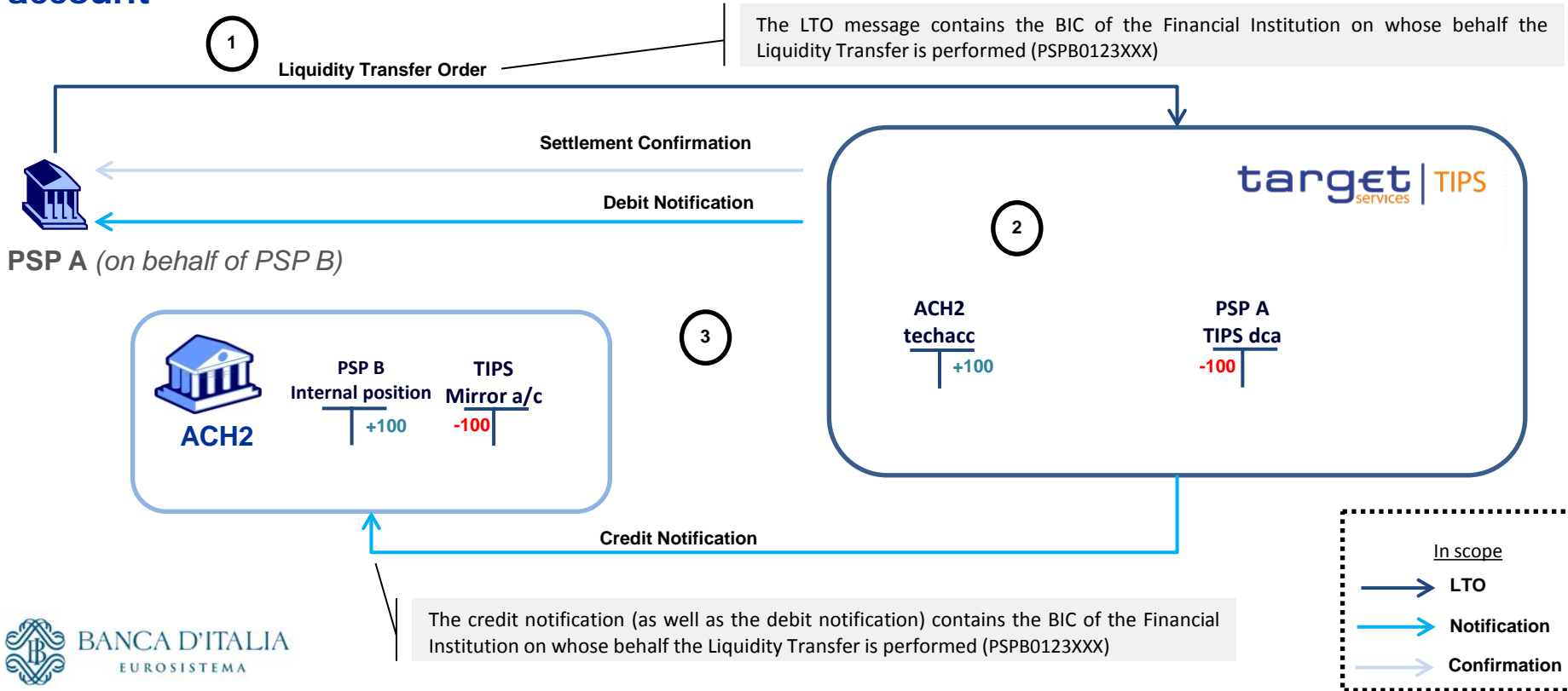


**PSP D** and **PSP G** have authorized **ACH1** to act on their behalf as Instructing Party

**PSP E** and **PSP F** have authorized **ACH2** to act on their behalf as Single Instructing Party

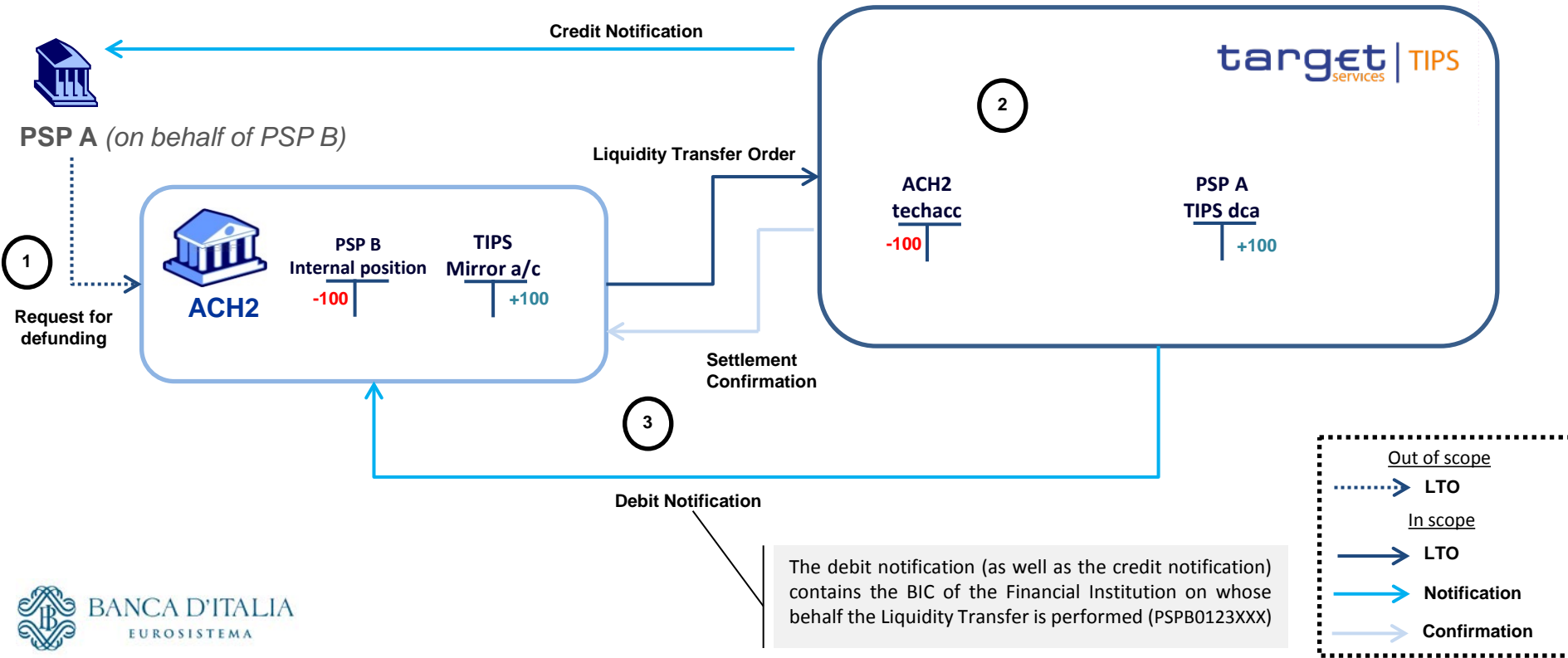


## Intra-service liquidity transfer from a TIPS Account to a TIPS AS Technical account

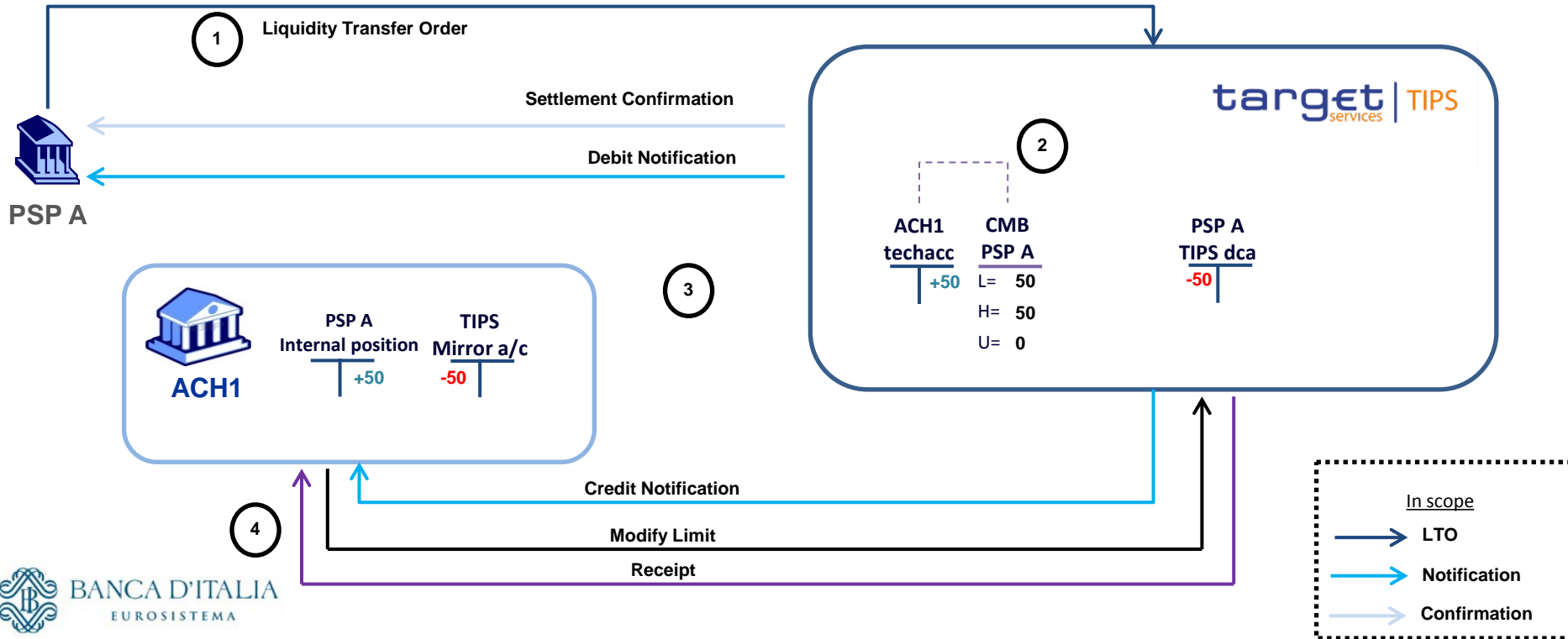




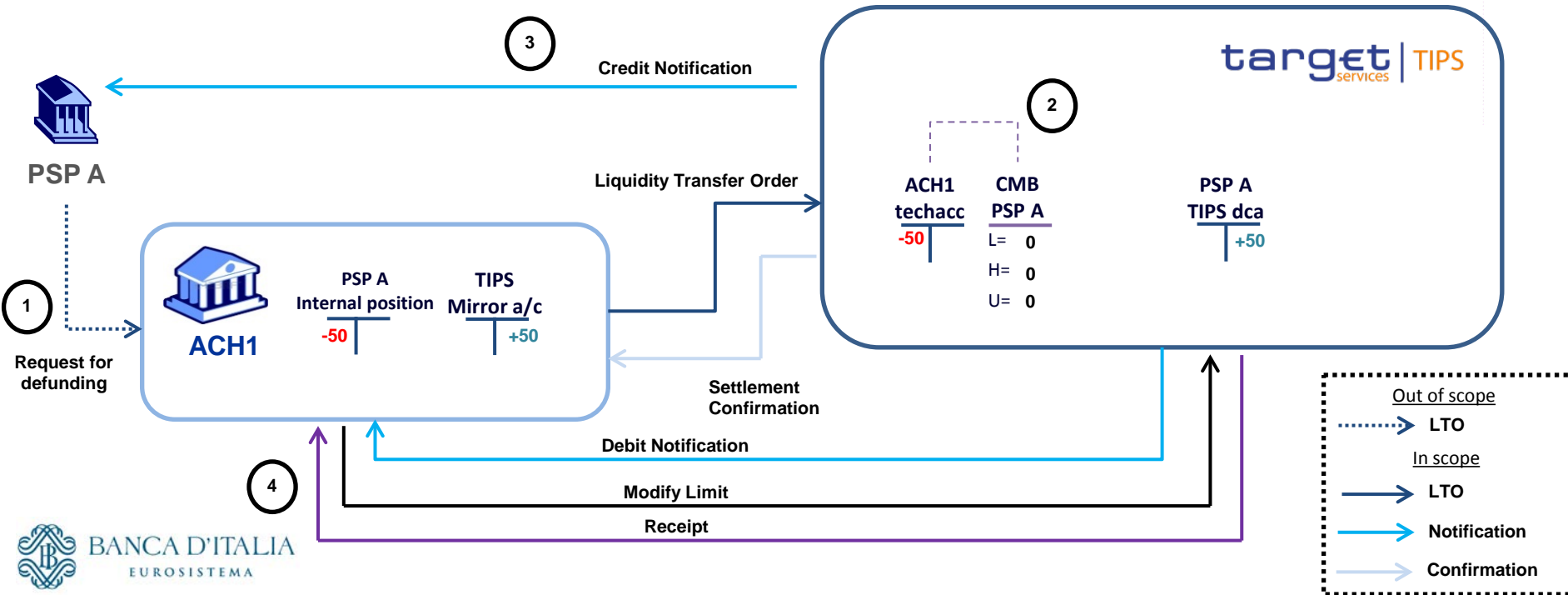
## Intra-service liquidity transfer from an AS Technical account to a TIPS DCA



## Intra-service liquidity transfer from a TIPS Account to an AS Technical account – Internal position of the ACH participant reachable in TIPS using a CMB



## Intra-service liquidity transfer from a TIPS Technical account to a TIPS Account – Internal position of the ACH participant reachable in TIPS using a CMB



**1** Setup of reference data, including data related to ACHs

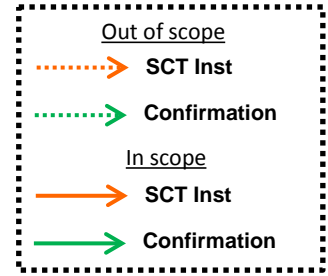
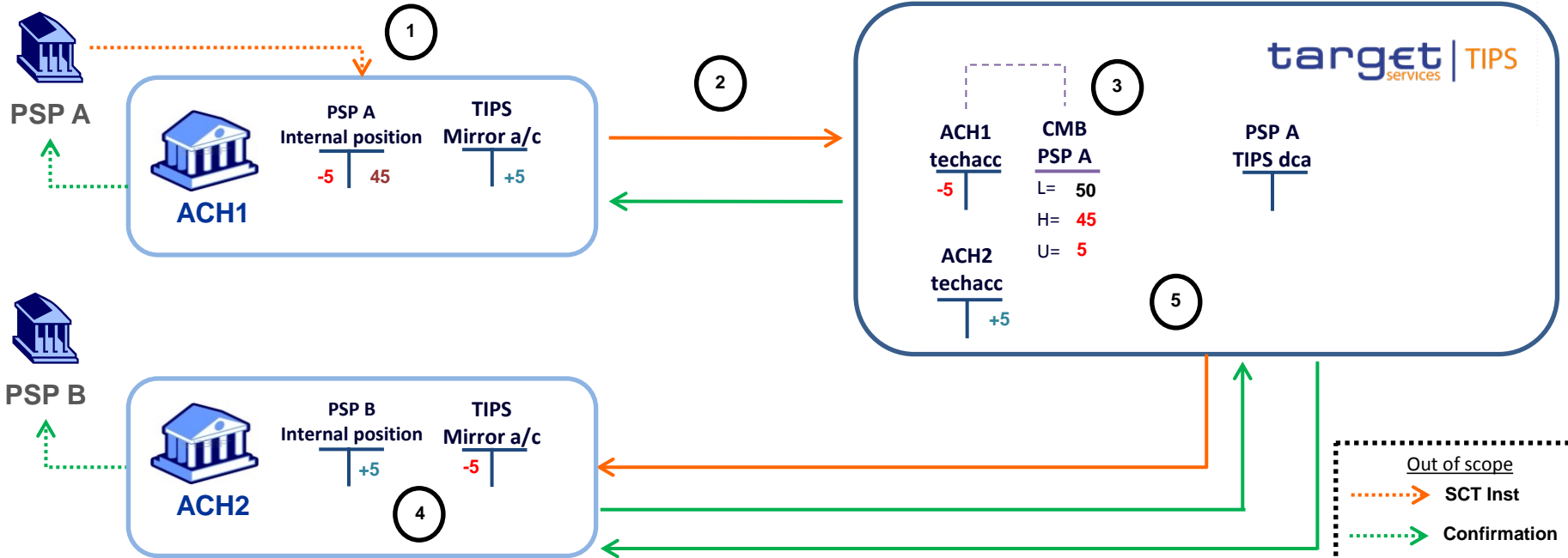
**2** Funding/defunding of ACH technical accounts

**3** New settlement scenarios with a focus on cross-ACH transactions

**4** End-of-day reporting

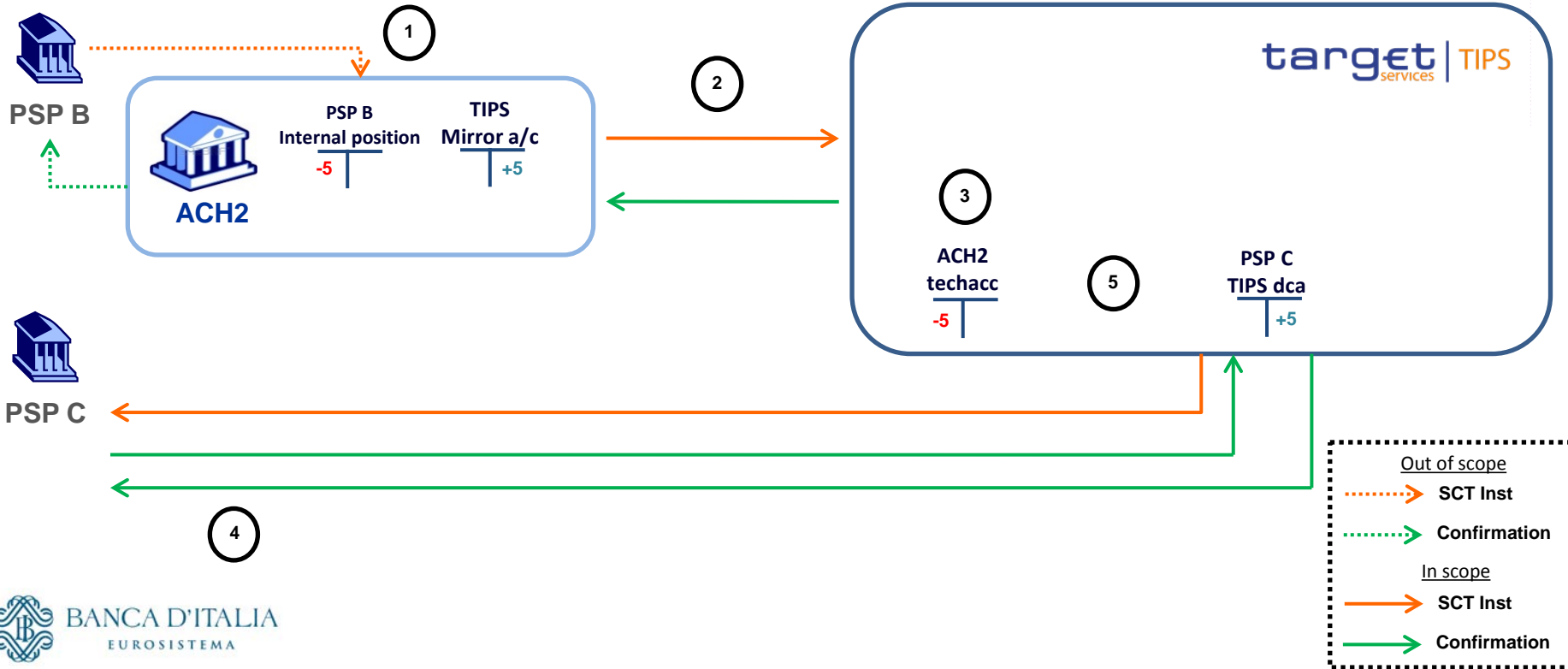
**5** Changes in TIPS messages

## Processing of instant payment in TIPS between two parties in two different ACHs (reachable in TIPS through TIPS AS Technical account\*)

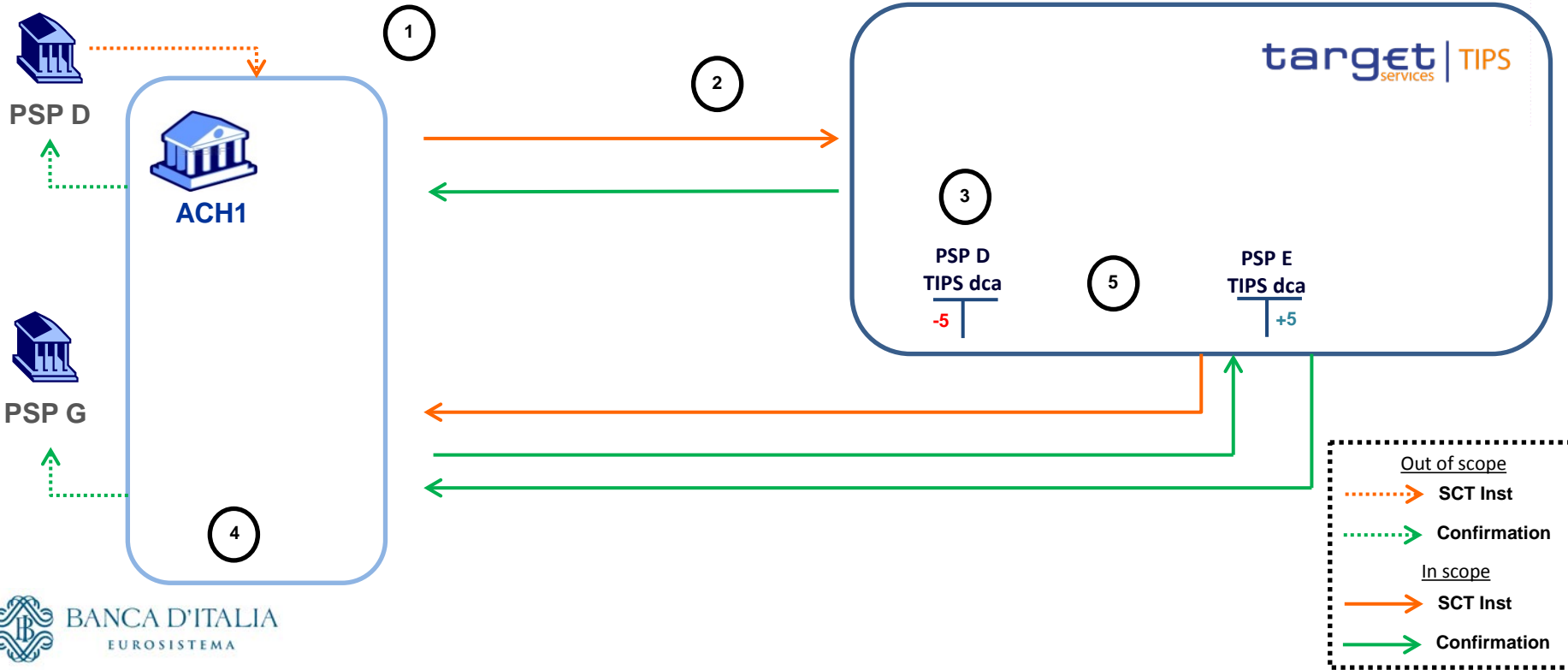


\*Purely by way of example, PSP A is using a CMB. The usage of CMBs for settlement remains optional. Each ACH participant BIC can be authorised either on a TIPS AS Technical account or CMB (see next scenario).

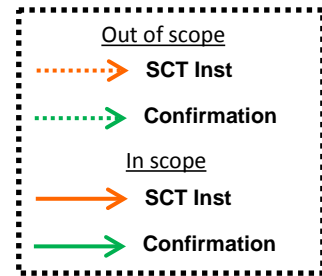
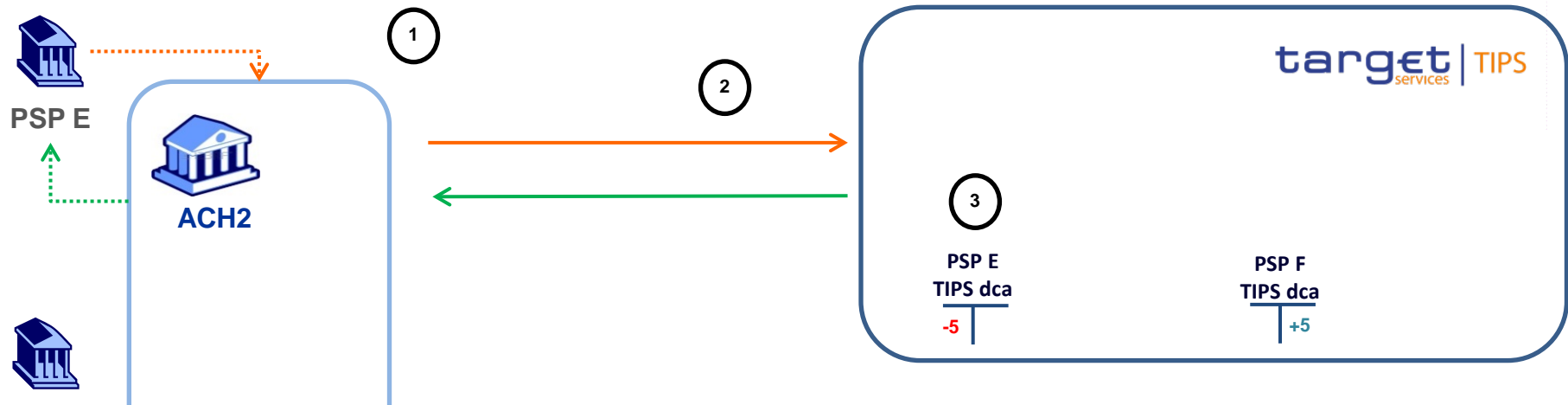
## Processing of instant payment in TIPS between an ACH participant (reachable in TIPS through TIPS AS Technical account) and a TIPS Participant



## Processing of instant payment in TIPS between two participants of the same ACH acting as Instructing Party



## Processing of instant payment in TIPS between two participants of the same ACH acting as Single Instructing Party (SIP)



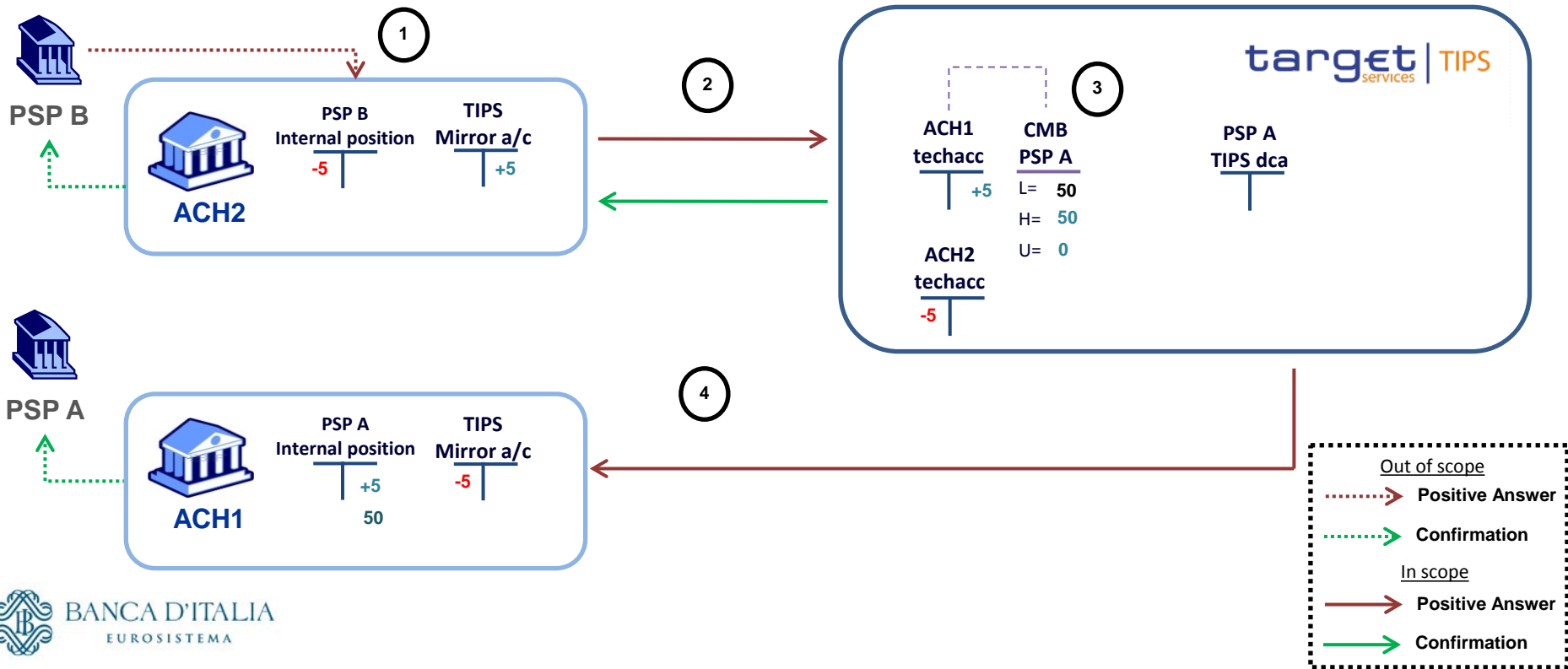


## Processing of recall answer between two participants of two different ACHs (1)



TIPS receives a recall request sent by ACH 1 on behalf of PSP A. PSP A is the Originator Bank of a previously settled transaction that requests the refund of the amount of that said transaction. The request is forwarded by TIPS directly to ACH2 (acting as Instructing Party on behalf of PSP B, which is the relevant Beneficiary bank).

Processing of recall answer between two participants of two different ACHs (2)



**1** Setup of reference data, including data related to ACHs

**2** Funding/defunding of ACH technical accounts

**3** New settlement scenarios with a focus on cross-ACH transactions

**4** End-of-day reporting

**5** Changes in TIPS messages

No change foreseen in the structure of the EOD Reports.

Information about AS Technical Accounts will be reported in addition.

In particular:

- *TIPS Directory* will include authorised BICs on AS Technical Accounts;
- *General Ledger* will include TIPS AS Technical Accounts under the CB scope and related to the currency managed by the RTGS;
- *Reports (camt.052/camt.053)* will be sent also to ACH in order to obtain information on AS Tech. Accounts (upon subscription); camt.053 usage will be adapted to report Intra-service LTs.

- 1 Setup of reference data, including data related to ACHs
- 2 Funding/defunding of ACH technical accounts
- 3 New settlement scenarios with a focus on cross-ACH transactions
- 4 End-of-day reporting
- 5 Changes in TIPS messages

In order to make available the Payment Transaction Status query also in A2A mode for monitoring and reconciliation purposes, *camt.005* and *camt.006* messages will be supported by TIPS as for TIPS 0039 URD.

No changes on xsd for messages currently managed by TIPS. Only message usages will be updated in order to correctly manage the ACH business cases related to AS Technical Accounts.

In particular:

- *camt.050/camt.025*, for the usage in Intra-service liquidity transfer scenario;
- *camt.054*, to correctly report information related to Intra-service LTs;
- *camt.003/camt.004*, to allow the query functionality also to ACH for their Account/CMBs balances;
- *camt.011*, to allow the modify limit functionality to ACH;
- *acmt.015/acmt.010/acmt.011*, to allow the change of the blocking status of an AS Technical Account;
- *reda.022/reda.016*, to allow the change of the blocking status of an ACH.

Thank you for the attention!