

Follow Up

camt.056 vs. camt.008

**3rd meeting of the
Target Consolidation Contact Group (TCCG)**

Frankfurt, 24 April 2018

Cancellation request camt.056 vs. camt.008

- **With regard to the cancellation request of a payment (order) we would like to have your guidance, which of the below options**
 - **Option 1: Use of camt.008**
 - **Option 2: Use of camt.056****should be implemented in the RTGS service.**

Cancellation request camt.056 vs. camt.008

Status of payment order: Not final

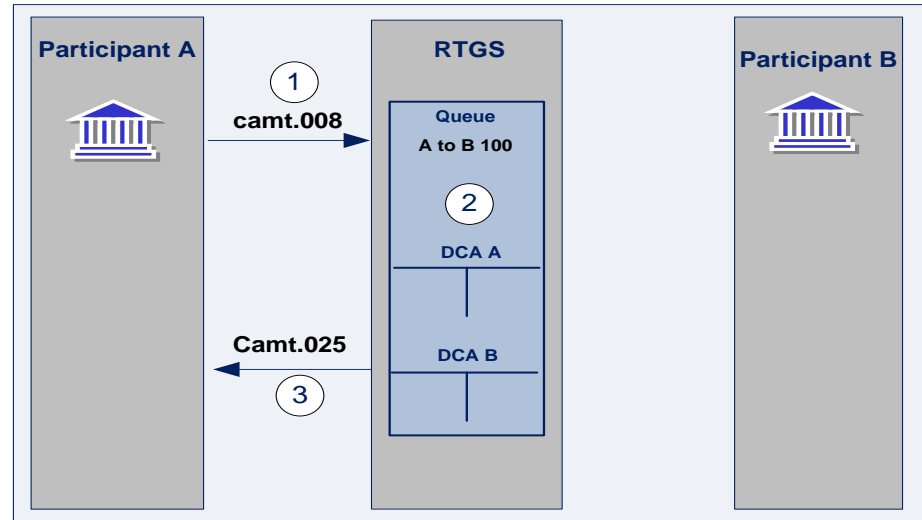
| <u>Option</u> | <u>Description of activity</u> | <u>Messages used</u> |
|---------------|---|--|
| 1 | <ul style="list-style-type: none"> • Deletion of payment order from payment queue • Notification to participant requesting the cancellation, that payment order has been deleted from the payment queue | <ul style="list-style-type: none"> • camt.008 • camt.025 (pos) |
| 2 | <ul style="list-style-type: none"> • Deletion of payment order from payment queue • Notification to participant requesting the cancellation, that payment order has been deleted from the payment queue | <ul style="list-style-type: none"> • camt.056 • camt.029 (pos) |

For more detailed information please refer to slide 4

Status of payment order: Not final

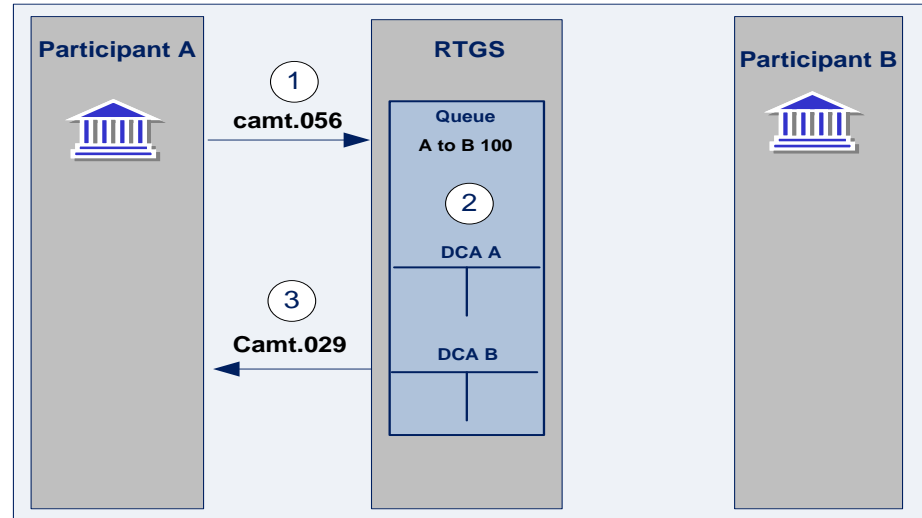
Option 1: camt.008

1. The participant A sends a camt.008 message to the RTGS service to request the cancellation of an already sent payment message.
2. RTGS checks status of requested payment message. In case of not final status the RTGS service revokes requested payment and deletes it from the payment queue.
3. The RTGS service sends a positive camt.025 to notify participant A.



Option 2: camt.056

1. The participant A sends a camt.056 message to the RTGS service to request the cancellation of an already sent payment message
2. The RTGS service checks status of requested payment message. In case of not final status the RTGS service revokes requested payment and deletes it from the payment queue.
3. The RTGS service sends a positive camt.029 to notify participant A



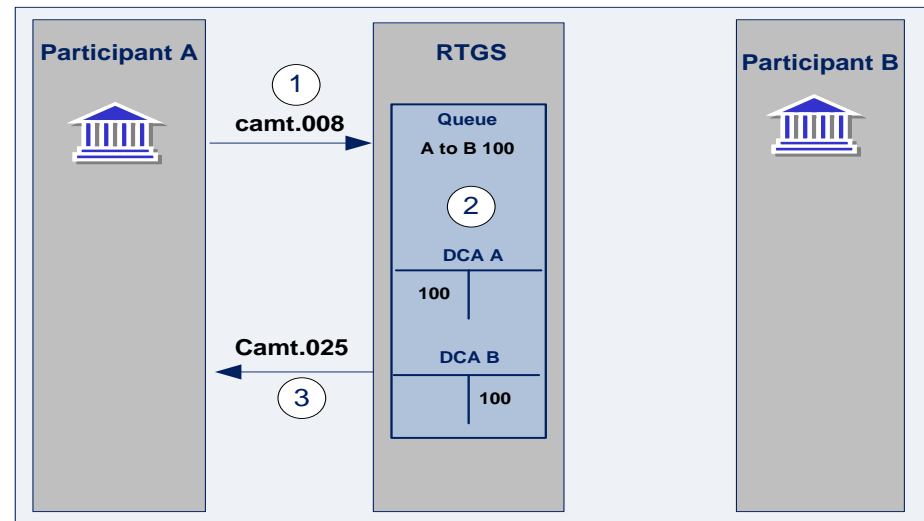
Cancellation request camt.056 vs. camt.008

Status of payment order: Final

| <u>Option</u> | <u>Description of activity</u> | <u>Messages used</u> |
|---------------|---|--|
| 1 | <ul style="list-style-type: none"> Information to participant requesting the cancellation, that payment has already been settled | <ul style="list-style-type: none"> camt.008 camt.025 (neg) |

Option 1: camt.008

- The participant A sends a camt.008 message to the RTGS service to request the cancellation of an already sent payment message.
- The RTGS service checks the status of requested payment message. The payment has already been settled.
- The RTGS service sends a negative camt.025 to notify participant A.



Cancellation request camt.056 vs. camt.008

Status of payment order: Final

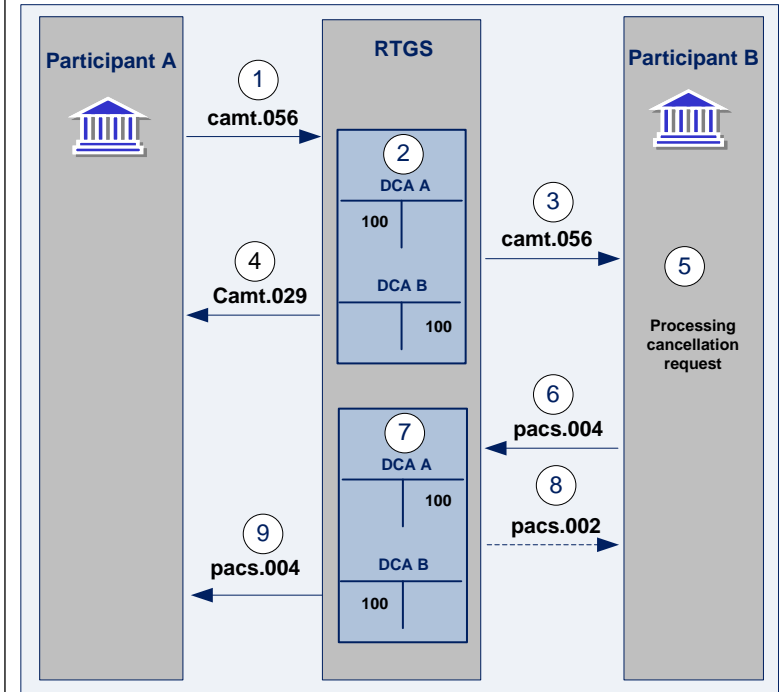
| <u>Option</u> | <u>Description of activity</u> | <u>Messages used</u> |
|---------------|--|---|
| 2 | <ul style="list-style-type: none"> • Cancellation request is forwarded to receiving participant • Information to participant requesting the cancellation on forwarding cancellation request <p>Two alternatives for reacting by receiving participant</p> <p>(1) Sending payment return message</p> <p>(2) Negative resolution of cancellation request</p> | <ul style="list-style-type: none"> • camt.056 • camt.029 • pacs.004 • pacs.002 (optional) |

Status of payment order: Final

Option 2

(1) Sending payment return message

1. The participant A sends a camt.056 message to participant B to request the cancellation of a payment message
2. The RTGS service checks payment status
3. If payment is booked or not available in RTGS the camt.056 will be forwarded to participant B
4. The RTGS service generates a camt.029 with code PTNA (Passed To The Next Agent) to participant A
5. Participant B processes the cancellation request and generates a pacs.004
6. Participant B sends a payment return message pacs.004 via the RTGS service to participant A
7. The payment has to pass several validations, e.g. availability of sufficient cover. participant B is debited and participant A simultaneously credited
8. Participant B receives a notification pacs.002 from the RTGS service (optional)
9. The pacs.004 message will be forwarded to the credited participant A.



Status of payment order: Final

Option 2

(2) Sending negative resolution

1. The direct participant A sends a camt.056 message to B to request the cancellation of a payment message
2. RTGS checks payment status
3. If payment is booked or not available in RTGS the camt.056 will be forwarded to participant B
4. RTGS generates a camt.029 with code PTNA (Passed To The Next Agent) to participant A
5. Participant B **cannot** process the cancellation request and generates a negative camt.029
6. Participant B sends the negative camt.029 to RTGS for forwarding to participant A
7. The camt.029 message will be forwarded by RTGS to participant A.

